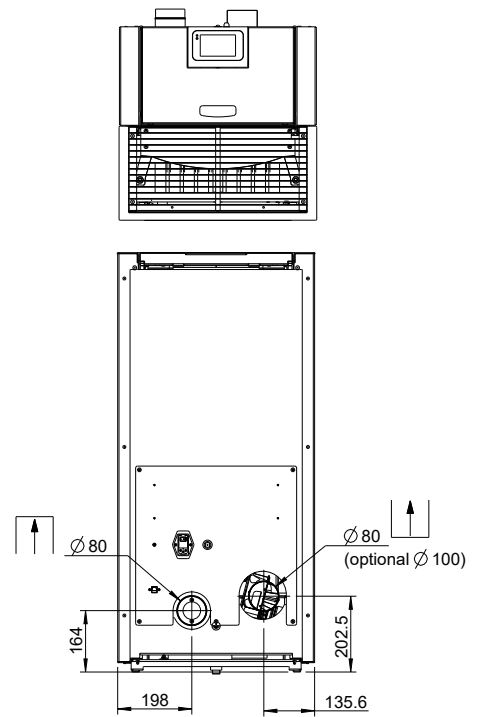
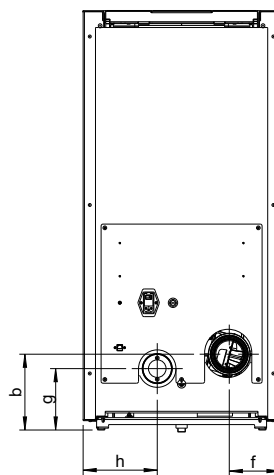
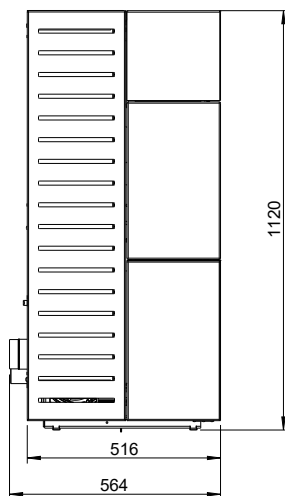
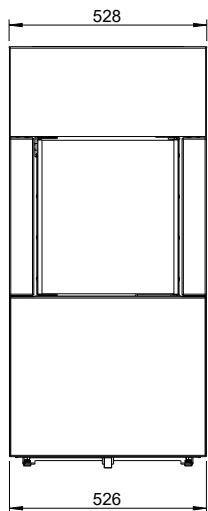


PERCY



AUSTROFLAMM



Dimensions and weight

Height [mm]	1120
Width [mm]	526
Depth [mm]	516
Combustion chamber width [mm]	-
Combustion chamber height [mm]	-
Combustion chamber depth [mm]	-
Flue pipe outlet, diameter [mm]	80
Outside air connection diameter [Ø mm]	80
Weight, basic appliance [kg]	160
Weight Xtra [kg]	-
Weight, HMS [kg]	-
Total weight inc. steel case (STM) [kg]	181
Total weight inc. ceramic case (KGM) [kg]	190
Total weight inc. soapstone case (SPM) [kg]	-
b: Height of flue pipe connection, centre rear (as per diagram) [mm]	203
f: Flue pipe connection from right (as per diagram) [mm]	136
g: Height of external air connection, centre (as per diagram) [mm]	164
h: External air connection from left (as per diagram) [mm]	204
dP Radiation front [mm]	800
dS1 Distance left [mm]	100
dR Distance rear [mm]	100
dS2 Distance right [mm]	100
dB Distance bottom [mm]	0
Minimum distance from non-flammable materials [mm]	50

Output

Nominal heat efficiency [kW]	8.0
Minimum heat output [kW]	2.4
Maximum heat output [kW]	8.0
Minimum room heating capacity [m³]	98
Maximum room heating capacity [m³]	255
Pellet hopper capacity [kg/l]	≈ 25/39
Minimum fuel throughput [kg/h]	0.6
Maximum fuel throughput [kg/h]	2.1
Burning time, minimum [h]	12
Burning time, maximum [h]	42
Power connection [V/Hz]	230 / 50

Equipment

Room temperature sensor	Standard
Weekly timer	Standard
Automatic drop grate	Standard
Ash removal	
Balanced flue - DiBt (German Institute for Structural Engineering)	Yes
WLAN module	Accessories
Remote control	Accessories
Air distribution module	-

Data for the chimney sweep

Exhaust gas mass flow [g/s]	6.31
Flue gas temperature [°C]	208
Minimum delivery pressure at nominal heat output [Pa]	12
Minimum delivery pressure for chimney calculation [Pa]	3

- not available