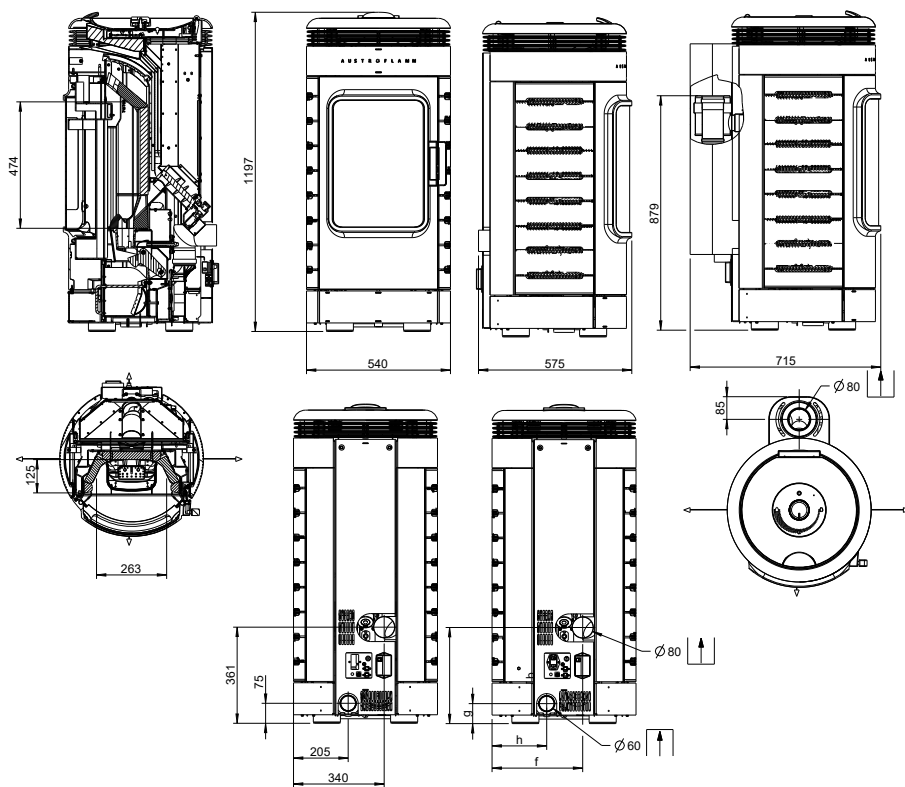


ELLA



AUSTROFLAMM



[www.austroflamm.com](http://www.austroflamm.com)

Dimensions and weight	
Height [mm]	1196
Width [mm]	540
Depth [mm]	575
Combustion chamber width [mm]	-
Combustion chamber height [mm]	-
Combustion chamber depth [mm]	-
Flue pipe outlet, diameter [mm]	80
Outside air connection diameter [Ø mm]	60
Weight, basic appliance [kg]	168
Weight Xtra [kg]	-
Weight, HMS [kg]	-
Total weight inc. steel case (STM) [kg]	182
Total weight inc. ceramic case (KGM) [kg]	188
Total weight inc. soapstone case (SPM) [kg]	-
b: Height of flue pipe connection, centre rear (as per diagram) [mm]	361
f: Flue pipe connection from right (as per diagram) [mm]	-
g: Height of external air connection, centre (as per diagram) [mm]	75
h: External air connection from left (as per diagram) [mm]	205
dP Radiation front [mm]	500
dS1 Distance left [mm]	200
dR Distance rear [mm]	200
dS2 Distance right [mm]	200
dB Distance bottom [mm]	0
Minimum distance from non-flammable materials [mm]	50
Output	
Nominal heat efficiency [kW]	7.0
Minimum heat output [kW]	3.5
Maximum heat output [kW]	7.0
Minimum room heating capacity [m³]	82
Maximum room heating capacity [m³]	210
Pellet hopper capacity [kg/l]	15/22
Minimum fuel throughput [kg/h]	0.6
Maximum fuel throughput [kg/h]	1.66
Burning time, minimum [h]	≈ 9
Burning time, maximum [h]	≈ 25
Power connection [V/Hz]	230 / 50
Equipment	
Room temperature sensor	standard
Weekly timer	Accessories
Automatic drop grate	standard
Ash removal	Ash box
Balanced flue - DiBt (German Institute for Structural Engineering)	-
WLAN module	Accessories
Remote control	-
Air distribution module	-
Data for the chimney sweep	
Exhaust gas mass flow [g/s]	5.3
Flue gas temperature [°C]	156
Minimum delivery pressure at nominal heat output [Pa]	12
Minimum delivery pressure for chimney calculation [Pa]	3

- not available