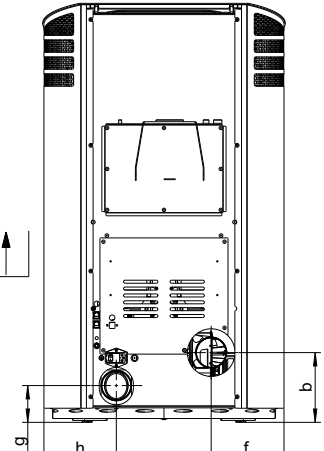
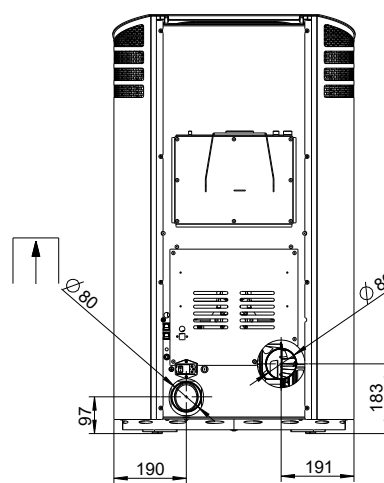
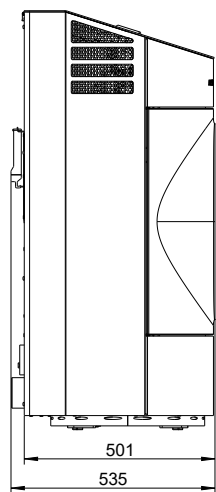
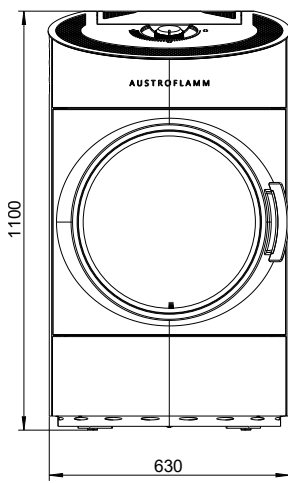
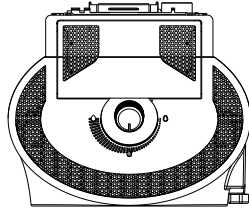
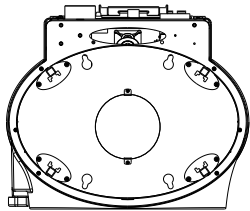


CLOU PELLET



AUSTROFLAMM



Dimensions and weight	
Height [mm]	1100
Width [mm]	630
Depth [mm]	535
Combustion chamber width [mm]	-
Combustion chamber height [mm]	-
Combustion chamber depth [mm]	-
Flue pipe outlet, diameter [mm]	80
Outside air connection diameter [Ø mm]	80
Weight, basic appliance [kg]	172
Weight Xtra [kg]	-
Weight, HMS [kg]	-
Total weight inc. steel case (STM) [kg]	172
Total weight inc. ceramic case (KGM) [kg]	-
Total weight inc. soapstone case (SPM) [kg]	-
b: Height of flue pipe connection, centre rear (as per diagram) [mm]	183
f: Flue pipe connection from right (as per diagram) [mm]	191
g: Height of external air connection, centre (as per diagram) [mm]	97
h: External air connection from left (as per diagram) [mm]	190
dP Radiation front [mm]	800 / 1000
dS1 Distance left [mm]	100 / 150
dR Distance rear [mm]	100
dS2 Distance right [mm]	100 / 150
dB Distance bottom [mm]	0
Minimum distance from non-flammable materials [mm]	50
Output	
Nominal heat efficiency [kW]	8.0 / 10.0
Minimum heat output [kW]	2.4
Maximum heat output [kW]	8.0 / 10.0
Minimum room heating capacity [m³]	98 / 128
Maximum room heating capacity [m³]	255 / 350
Pellet hopper capacity [kg/l]	36 / 56
Minimum fuel throughput [kg/h]	0.6
Maximum fuel throughput [kg/h]	1.9 / 2.3
Burning time, minimum [h]	19 / 15
Burning time, maximum [h]	60
Power connection [V/Hz]	230 / 50
Equipment	
Room temperature sensor	standard
Weekly timer	Accessories
Automatic drop grate	-
Ash removal	-
Balanced flue - DiBt (German Institute for Structural Engineering)	Yes
WLAN module	Accessories
Remote control	-
Air distribution module	-
Data for the chimney sweep	
Exhaust gas mass flow [g/s]	5.51 / 6.18
Flue gas temperature [°C]	200 / 229
Minimum delivery pressure at nominal heat output [Pa]	12
Minimum delivery pressure for chimney calculation [Pa]	3

- not available