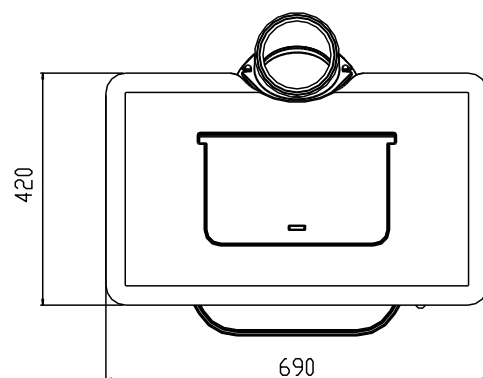
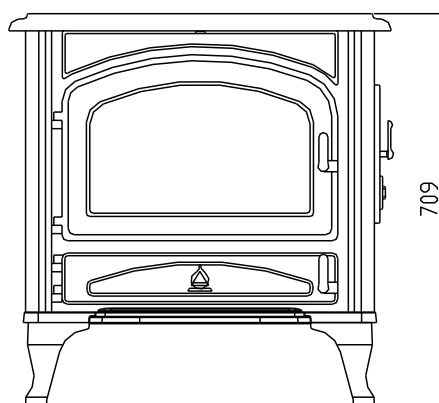
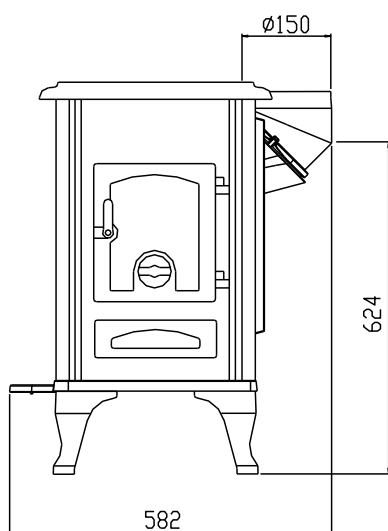


WIEN



AUSTROFLAMM



| Dimensions and weight  |         |
|--|---------|
| Height [mm]  | 709     |
| Width [mm]   | 690     |
| Depth [mm]   | 582     |
| Combustion chamber width [mm]                                  | 510     |
| Combustion chamber height [mm]                                 | 315     |
| Combustion chamber depth [mm]                                  | 250     |
| Baking compartment width [mm]                                  | -       |
| Baking compartment height [mm]                                 | -       |
| Baking compartment depth [mm]                                  | -       |
| Warming drawer, width [mm]                                     | -       |
| Warming compartment height [mm]                                | -       |
| Warming drawer, depth [mm]                                     | -       |
| Dimensions, a (with Austroflamm elbow piece) [mm]              | 1277    |
| Dimensions, b (with Austroflamm elbow piece) [mm]              | 667     |
| Dimensions, c (with Austroflamm elbow piece) [mm]              | 870     |
| Dimensions, d (with Austroflamm elbow piece) [mm]              | 33      |
| Flue pipe outlet, diameter [mm]                                | 150     |
| Outside air connection diameter [Ø mm]                         | 150     |
| Weight, basic appliance [kg]                                   | 160     |
| Weight Xtra [kg]   | -       |
| Weight, HMS [kg]   | -       |
| Total weight inc. steel case (STM) [kg]                        | 160     |
| Total weight inc. ceramic case (KGM) [kg]                      | -       |
| Total weight inc. soapstone case (SPM) [kg]                    | -       |
| dP Radiation front [mm]  | 1200    |
| dS1 Distance left [mm]   | 550     |
| dR Distance rear [mm]  | 500     |
| dS2 Distance right [mm]  | 650     |
| dB Distance bottom [mm]  | 0       |
| Minimum distance from non-flammable materials [mm]             | 50      |
| Output   |         |
| Nominal heat efficiency [kW]                                   | 6.0     |
| Minimum heat output [kW]                                       | 3.0     |
| Maximum heat output [kW]                                       | 8.0     |
| Minimum room heating capacity [m³]                             | 65      |
| Maximum room heating capacity [m³]                             | 165     |
| Energy efficiency class  | A       |
| Data for the chimney sweep                                     |         |
| Exhaust gas mass flow [g/s]                                    | 6.1     |
| Flue gas temperature [°C]                                      | 314     |
| Minimum delivery pressure at nominal heat output [Pa]          | 11      |
| at 0.8 times nominal heat output [Pa]                          | 10      |
| Equipment  |         |
| Xtra heat storage technology                                   | -       |
| Heat Memory System   | -       |
| External air connection / operation independent of ambient air | No      |
| Ash removal  | Ash pan |

- not available