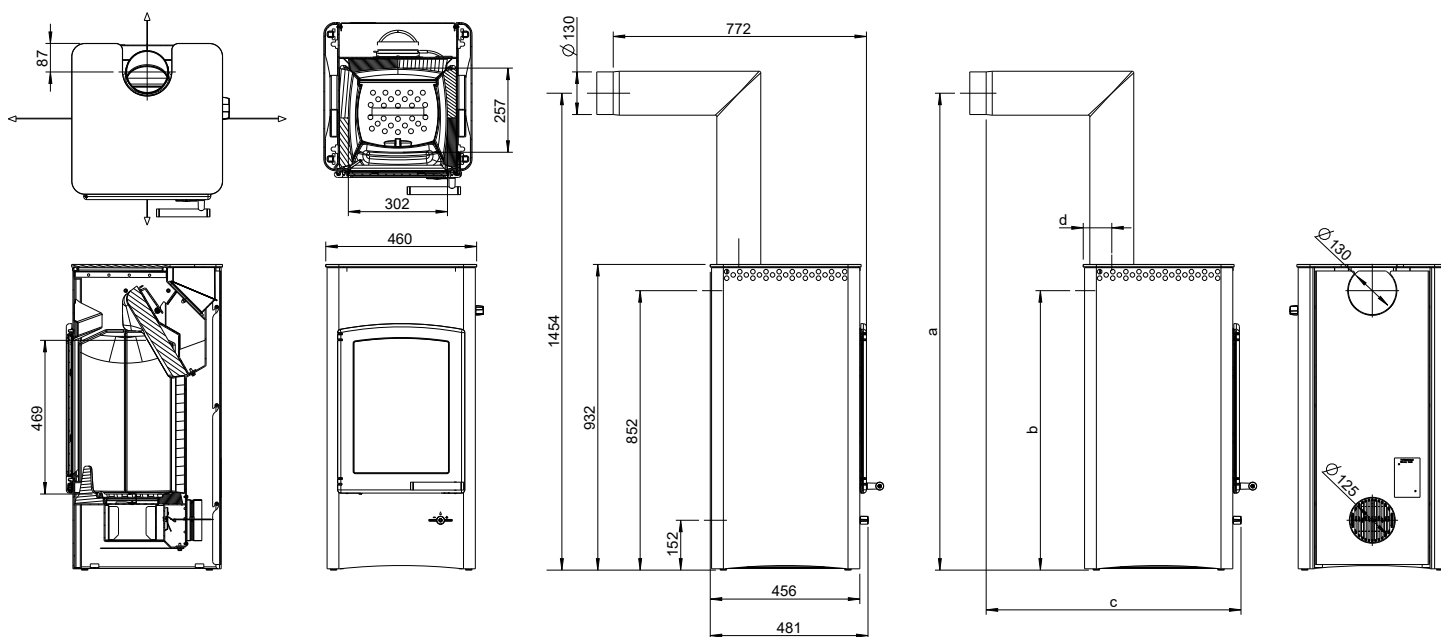


LUCY COOK



AUSTROFLAMM



www.austroflamm.com

Dimensions and weight	
Height [mm]	932
Width [mm]	460
Depth [mm]	456
Combustion chamber width [mm]	302
Combustion chamber height [mm]	469
Combustion chamber depth [mm]	257
Baking compartment width [mm]	-
Baking compartment height [mm]	-
Baking compartment depth [mm]	-
Warming drawer, width [mm]	-
Warming compartment height [mm]	-
Warming drawer, depth [mm]	-
Dimensions, a (with Austroflamm elbow piece) [mm]	1454
Dimensions, b (with Austroflamm elbow piece) [mm]	852
Dimensions, c (with Austroflamm elbow piece) [mm]	772
Dimensions, d (with Austroflamm elbow piece) [mm]	87
Flue pipe outlet, diameter [mm]	130
Outside air connection diameter [Ø mm]	125
Weight, basic appliance [kg]	122
Weight Xtra [kg]	-
Weight, HMS [kg]	-
Total weight inc. steel case (STM) [kg]	122
Total weight inc. ceramic case (KGM) [kg]	-
Total weight inc. soapstone case (SPM) [kg]	-
dP Radiation front [mm]	800
dS1 Distance left [mm]	100
dR Distance rear [mm]	100
dS2 Distance right [mm]	100
dB Distance bottom [mm]	0
Minimum distance from non-flammable materials [mm]	50
Output	
Nominal heat efficiency [kW]	6.0
Minimum heat output [kW]	3.5
Maximum heat output [kW]	8.0
Minimum room heating capacity [m³]	65
Maximum room heating capacity [m³]	165
Energy efficiency class	A+
Data for the chimney sweep	
Exhaust gas mass flow [g/s]	4.9
Flue gas temperature [°C]	290
Minimum delivery pressure at nominal heat output [Pa]	12
at 0.8 times nominal heat output [Pa]	10
Equipment	
Xtra heat storage technology	-
Heat Memory System	-
External air connection / operation independent of ambient air	Yes
Ash removal	Ash box

- not available